

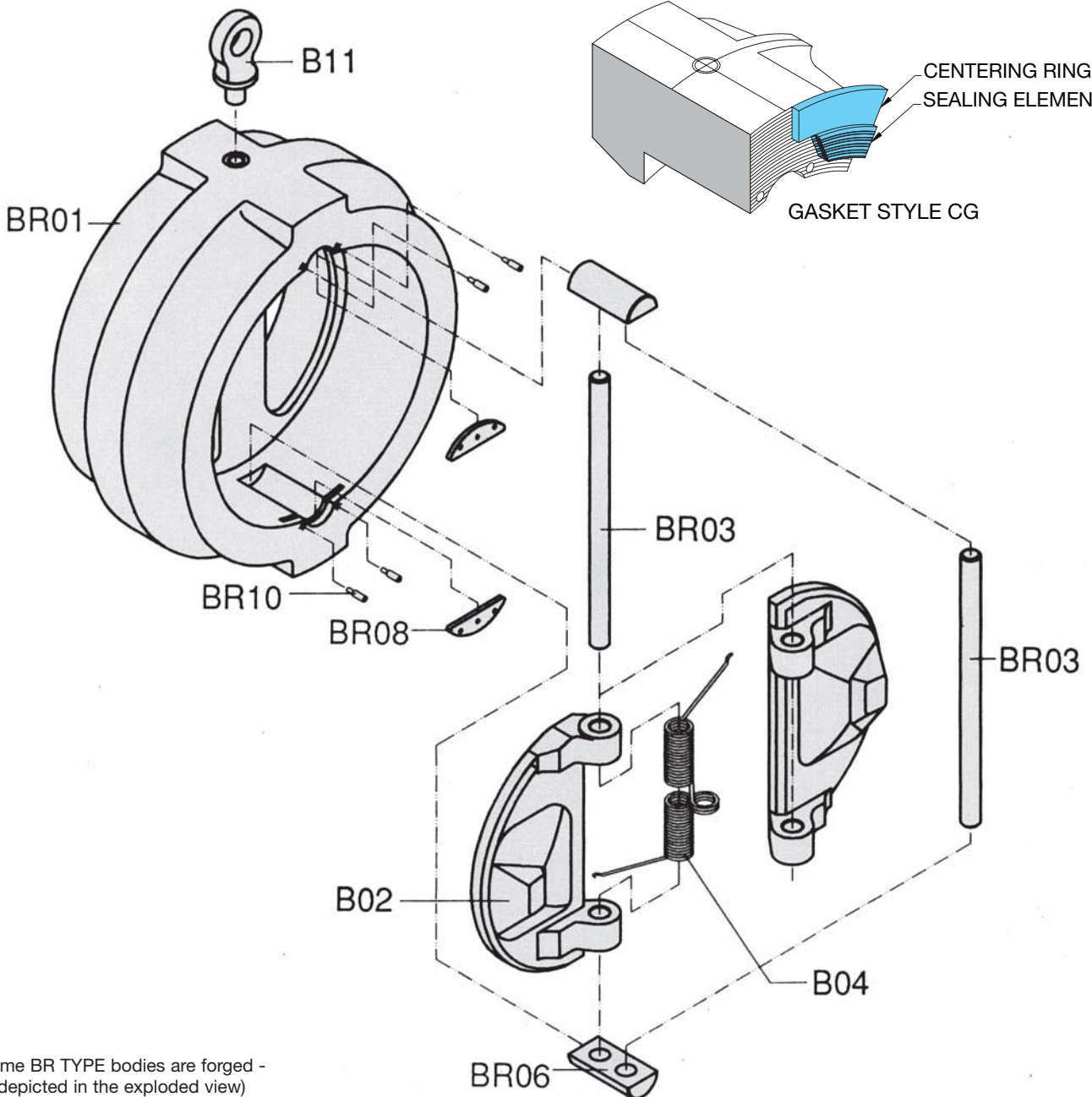
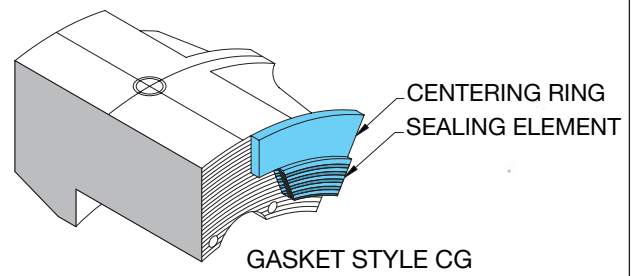
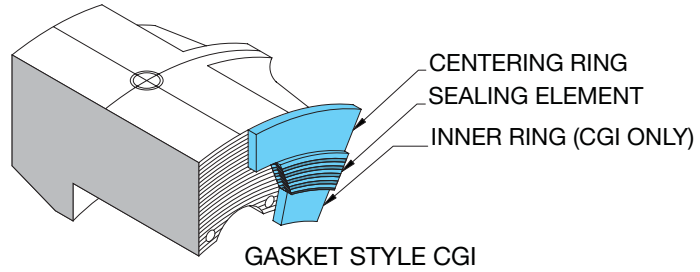
EXPLODED VIEWS AND SPARE PARTS

WAFER RETAINERLESS

TYPE BR

VALVE COMPONENTS

- BR01 - BODY
- * B02 - PLATE x 2
- * BR03 - HINGE/STOP PIN x 2
- * B04 - SPRING
- * BR06 - CARRIER x 2
- * BR08 - KEEPER PLATE x 2
- * BR10 - DOWEL x 4
- † B11 - EYEBOLT



(Some BR TYPE bodies are forged - as depicted in the exploded view)

(Body outer profile may differ from that shown)

* Spares Available

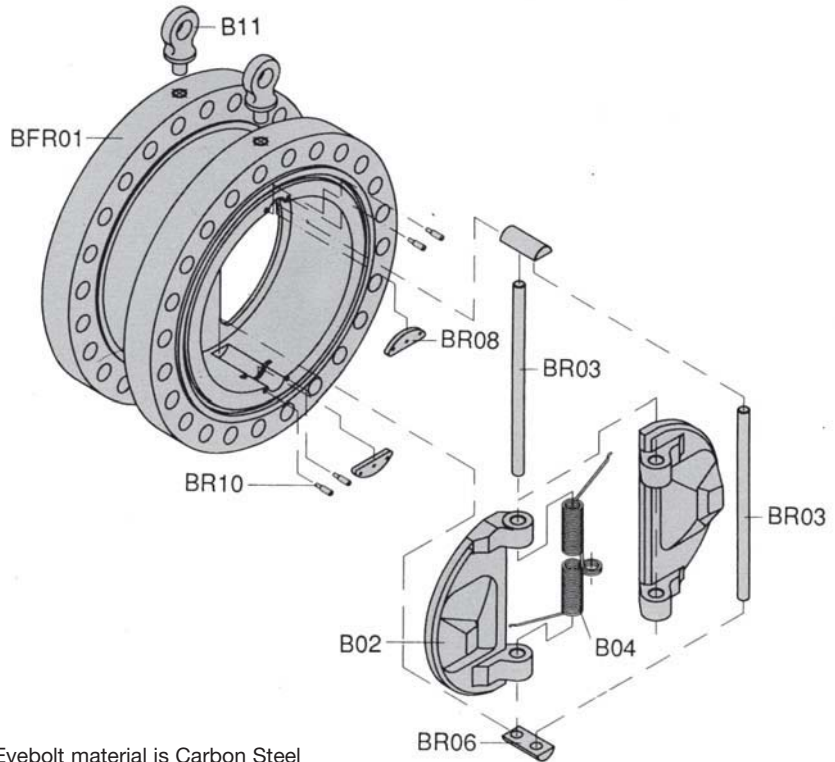
† Eyebolt(s) supplied for valves over 20kg. Eyebolt material is Carbon Steel

FLANGED RETAINERLESS

TYPE BFR

VALVE COMPONENTS

- BFR01 - BODY
- * B02 - PLATE x 2
- * BR03 - HINGE/STOP PIN x 2
- * B04 - SPRING
- * BR06 - CARRIER x 2
- * BR08 - KEEPER PLATE x 2
- * BR10 - DOWEL x 4
- † B11 - EYEBOLT x 2



* Spares Available

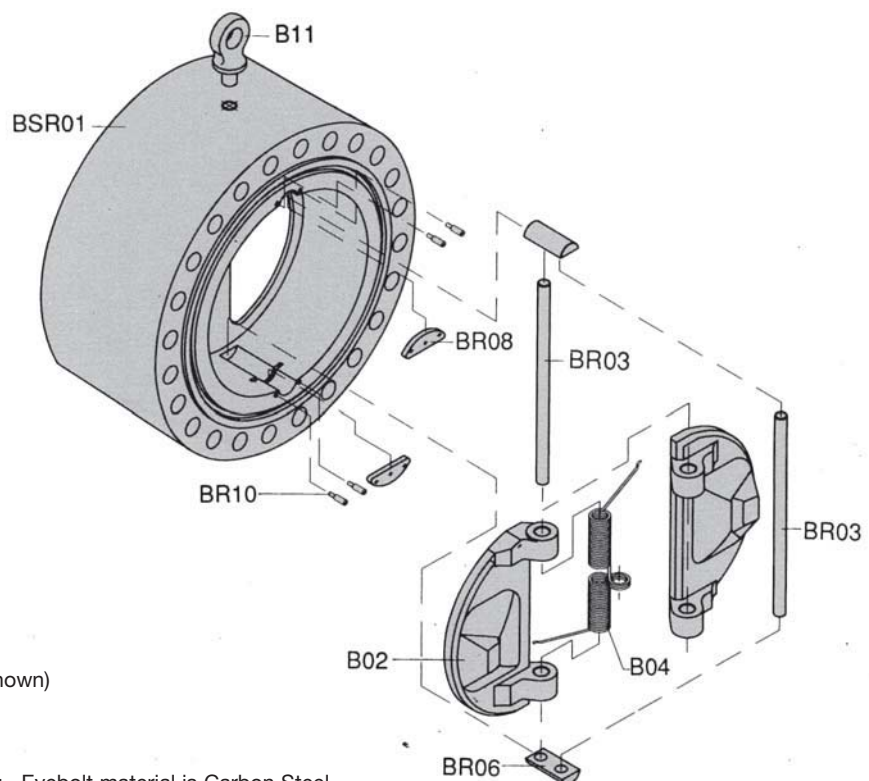
† Eyebolt(s) supplied for valves over 20kg. Eyebolt material is Carbon Steel

SOLID LUG RETAINERLESS

TYPE BSR

VALVE COMPONENTS

- BSR01 - BODY
- * B02 - PLATE x 2
- * BR03 - HINGE/STOP PIN x 2
- * B04 - SPRING
- * BR06 - CARRIER x 2
- * BR08 - KEEPER PLATE x 2
- * BR10 - DOWEL x 4
- † B11 - EYEBOLT



(Body outer profile may differ from that shown)

* Spares Available

† Eyebolt(s) supplied for valves over 20kg. Eyebolt material is Carbon Steel