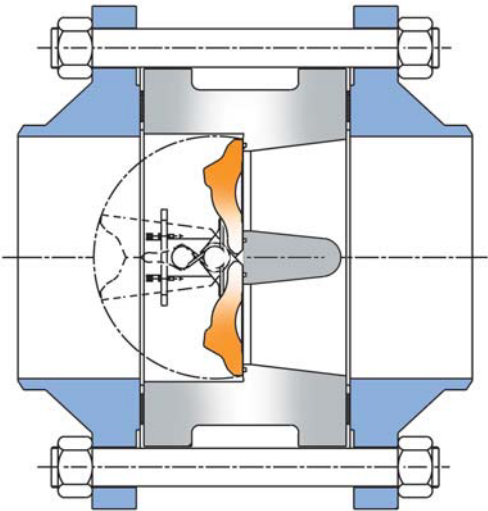
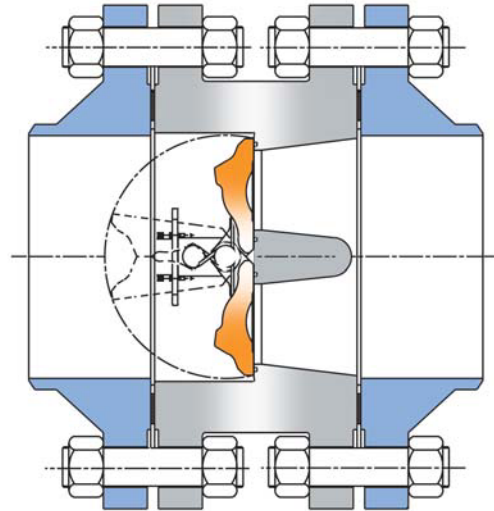


INSTALLATION BETWEEN END CONNECTIONS

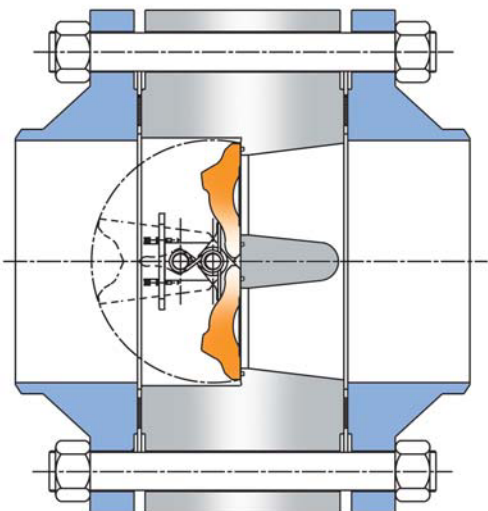
TYPE BR - Wafer



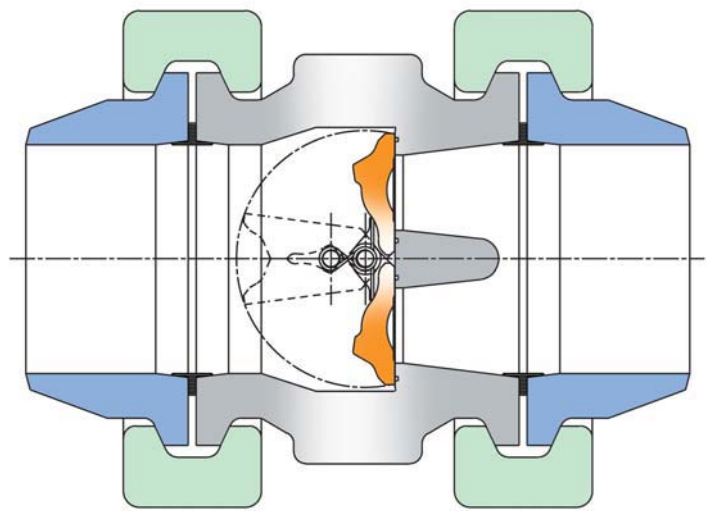
TYPE BFR - Flanged



TYPE BSR - Solid Lug



TYPE BHR - Hub Ended



**BR, BFR & BSR have face-to-face dimensions to API 594.
BH & BHR face-to-face dimensions to manufacturer's standard.**