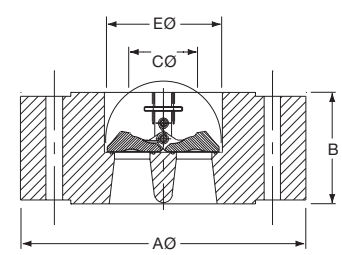
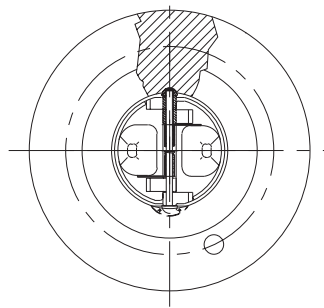


# SOLID LUG TYPE BSR

## INSTALLATION DIMENSIONS



### ANSI B16.5

#### FLANGE DETAIL

Size inches	Pressure Rating ANSI	End Facing	A Ø mm	B mm	C Ø mm	E Ø mm	HOLE P.C.D. mm	HOLE DIA. mm	STUD SELECTION			Δ VALVE APPROX WEIGHT kg
									No.	Diameter inches	*Length mm	
2 (50mm)	150	RF	152	60	0	57	120.7	19.1	4	5/8	165	7
	300	RF	165	60	0	57	127.0	19.1	8	5/8	170	8
	600	RF/RJ-23	165	60	0	57	127.0	19.1	8	5/8	195	8
	900	RF/RJ-24	216	70	0	57	165.1	25.4	8	7/8	240	16
	1500	RF/RJ-24	216	70	0	57	165.1	25.4	8	7/8	240	16
	2500	RF/RJ-26	235	70	0	57	171.4	28.6	8	1	275	19
3 (80mm)	150	RF	191	73	51	87	152.4	19.1	4	5/8	185	12
	300	RF	210	73	51	87	168.3	22.2	8	3/4	205	14
	600	RF	210	73	51	87	168.3	22.2	8	3/4	230	14
	900	RF/RJ-31	241	83	60	87	190.5	25.4	8	7/8	255	25
	1500	RF/RJ-35	267	83	60	87	203.2	31.8	8	1 1/8	285	29
	2500	RF/RJ-32	305	86	60	87	228.6	34.9	8	1 1/8	335	38
4 (100mm)	150	RF	229	73	89	113	190.5	19.1	8	5/8	185	19
	300	RF	254	73	89	113	200.0	22.2	8	3/4	210	23
	600	RF/RJ-37	273	79	89	113	215.9	25.4	8	7/8	255	30
	900	RF/RJ-37	292	102	83	113	235.0	31.8	8	1 1/8	300	45
	1500	RF/RJ-39	311	102	83	113	241.3	34.9	8	1 1/4	325	51
	2500	RF/RJ-38	356	105	83	113	273.0	41.3	8	1 1/2	395	69
6 (150mm)	150	RF	279	98	140	166	241.3	22.2	8	3/4	220	32
	300	RF	318	98	140	166	269.9	22.2	12	3/4	245	45
	600	RF/RJ-45	356	137	89	166	292.1	28.6	12	1	340	81
	900	RF/RJ-45	381	159	89	166	317.5	31.8	12	1 1/8	380	115
	1500	RF/RJ-46	394	159	89	166	317.5	38.1	12	1 3/8	455	119
	2500	RF/RJ-47	483	159	89	166	368.3	54.0	8	2	540	184
8 (200mm)	150	RF	343	127	171	207	298.5	22.2	8	3/4	255	63
	300	RF	381	127	171	207	330.2	25.4	12	7/8	290	78
	600	RF/RJ-49	419	165	168	207	349.2	31.8	12	1 1/8	385	134
	900	RF/RJ-49	470	206	130	207	393.7	38.1	12	1 3/8	455	217
	1500	RF/RJ-50	483	206	130	207	393.7	44.5	12	1 5/8	530	230
	2500	RF/RJ-51	552	206	143	207	438.2	54.0	12	2	630	300
10 (250mm)	150	RF	406	146	235	260	362.0	25.4	12	7/8	285	93
	300	RF	445	146	235	260	387.4	28.6	16	1	325	115
	600	RF/RJ-53	508	213	200	260	431.8	34.9	16	1 1/4	460	234
	900	RF/RJ-53	546	241	195	260	469.9	38.1	16	1 3/8	505	330
	1500	RF/RJ-54	584	248	184	260	482.6	50.8	12	1 7/8	620	378
	2500	RF/RJ-55	673	254	191	260	539.8	66.7	12	2 1/2	790	489
12 (300mm)	150	RF	483	181	260	300	431.8	25.4	12	7/8	325	170
	300	RF	521	181	260	300	450.8	31.8	16	1 1/8	375	242
	600	RF/RJ-57	559	229	232	300	489.0	34.9	20	1 1/4	480	304
	900	RF/RJ-57	610	292	206	300	533.4	38.1	20	1 3/8	575	509
	1500	RF/RJ-58	673	305	210	300	571.5	54.0	16	2	720	650
	2500	RF/RJ-60	762	305	225	300	619.1	73.0	12	2 3/4	895	747
14 (350mm)	150	RF	533	184	286	339	476.3	28.6	12	1	340	199
	300	RF	584	222	286	339	514.4	31.8	20	1 1/8	420	313
	600	RF/RJ-61	603	273	232	339	527.0	38.1	20	1 3/8	535	440
	900	RF/RJ-62	641	356	0	339	558.8	41.3	20	1 1/2	660	775
	1500	RF/RJ-63	749	356	0	339	635.0	60.3	16	2 1/4	810	905
16 (400mm)	150	RF	597	191	332	387	539.8	28.6	16	1	350	246
	300	RF	648	232	330	387	571.5	34.9	20	1 1/4	445	489
	600	RF/RJ-65	686	305	330	387	603.2	41.3	20	1 1/2	590	660
	900	RF/RJ-66	705	384	162	387	616.0	44.5	20	1 5/8	705	850
	1500	RF/RJ-67	826	384	162	387	704.8	66.7	16	2 1/2	885	1120

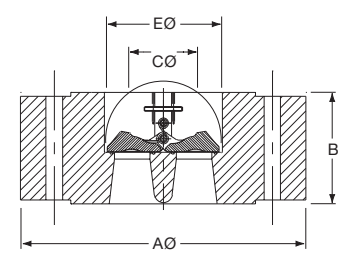
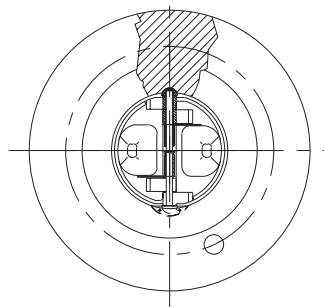
\* Where Ring Joint Facing shown in End Facing, Stud lengths based on Ring Joint flange connection.

Δ Weights are for valve only and exclude mating flanges and bolting. Weight will vary according to corrosion allowance specification

VALVE SIZE	2" to 24"	26" to 60"	66" to 144"
FLANGE STANDARD	ANSI B16.5	ANSI B16.47 SERIES A (MSS SP44)	AWWA C207 (CLASS E 275 PSI)

# SOLID LUG TYPE BSR

## INSTALLATION DIMENSIONS



### ANSI B16.5 / ANSI B16.47 SERIES A

#### FLANGE DETAIL

Size inches	Pressure Rating ANSI	End Facing	A Ø mm	B mm	C Ø mm	E Ø mm	HOLE P.C.D. mm	HOLE DIA. mm	STUD SELECTION			Δ VALVE APPROX WEIGHT kg
									No.	Diameter inches	*Length mm	
18 (450mm)	150	RF	635	203	395	438	577.9	31.8	16	1 1/8	375	290
	300	RF	711	264	391	438	628.6	34.9	24	1 1/4	485	558
	600	RF/RJ-69	743	362	330	438	654.0	44.5	20	1 5/8	665	1078
	900	RF/RJ-70	787	451	244	438	685.8	50.8	20	1 7/8	815	1450
	1500	RF/RJ-71	914	468	184	438	774.7	73.0	16	2 3/4	1010	1775
20 (500mm)	150	RF	699	219	438	487	635.0	31.8	20	1 1/8	400	348
	300	RF	775	292	438	487	685.8	34.9	24	1 1/4	520	766
	600	RF/RJ-73	813	368	432	487	723.9	44.5	24	1 5/8	685	995
	900	RF/RJ-74	857	451	406	487	749.3	54.0	20	2	835	1960
	1500	RF/RJ-75	984	533	210	487	831.8	79.4	16	3	1125	2200
24 (600mm)	150	RF	813	222	537	579	749.3	34.9	20	1 1/4	420	396
	300	RF	914	318	524	579	812.8	41.3	24	1 1/2	570	1190
	600	RF/RJ-77	940	438	510	579	838.2	50.8	24	1 7/8	800	1554
	900	RF/RJ-78	1041	495	445	579	901.7	66.7	20	2 1/2	975	2351
	1500	RF/RJ-79	1168	559	391	579	990.6	92.1	16	3 1/2	1235	3325
26 (650mm)	150	RF	870	356	597	629	806.5	34.9	24	1 1/4	605	1254
	300	RF	972	356	597	629	876.3	44.5	28	1 5/8	650	1542
	600	RF/RJ-93	1016	457	578	629	914.4	50.8	28	1 7/8	850	1766
	900	RF/RJ-100	1086	533	559	629	952.5	73.0	20	2 3/4	1045	2479
28 (700mm)	150	RF	927	381	648	680	863.6	34.9	28	1 1/4	635	1276
	300	RF	1035	381	648	680	939.8	44.5	28	1 5/8	685	1395
	600	RF/RJ-94	1073	483	629	680	965.2	54.0	28	2	890	1827
	900	RF/RJ-101	1168	572	610	680	1022.4	79.4	20	3	1100	3021
30 (750mm)	150	RF	984	305	641	735	914.4	34.9	28	1 1/4	565	987
	300	RF	1092	368	641	735	997.0	47.6	28	1 3/4	685	1996
	600	RF/RJ-95	1130	505	584	735	1022.4	54.0	28	2	920	3045
	900	RF/RJ-102	1232	635	584	735	1085.9	79.4	20	3	1180	3835
32 (800mm)	150	RF	1060	356	641	784	977.9	41.3	28	1 1/2	645	2925
	300	RF	1149	406	641	784	1054.1	50.8	28	1 7/8	750	3428
	600	RF/RJ-96	1194	533	610	784	1079.5	60.3	28	2 1/4	970	3815
	900	RF/RJ-103	1314	660	610	784	1155.7	85.7	20	3 1/4	1235	4265
36 (900mm)	150	RF	1168	368	648	865	1085.9	41.3	32	1 1/2	675	1430
	300	RF	1270	483	648	865	1168.4	54.0	32	2	845	2661
	600	RF/RJ-98	1314	635	527	865	1193.8	66.7	28	2 1/2	1095	5896
	900	RF/RJ-105	1461	718	356	865	1289.1	92.1	20	3 1/2	1335	**
40 (1000mm)	150	RF	1289	432	883	987	1200.2	41.3	36	1 1/2	740	1386
	300	RF	1238	546	749	909	1155.7	44.5	32	1 5/8	910	3827
	600	RF	1321	660	743	909	1212.9	60.3	32	2 1/4	1155	7862
	900	RF	1511	762	737	909	1339.9	92.1	24	3 1/2	1395	8328
42 (1050mm)	150	RF	1346	432	935	1062	1257.3	41.3	36	1 1/2	755	2377
	300	RF	1289	568	837	1015	1206.5	44.5	32	1 5/8	940	5515
	600	RF	1403	702	648	972	1282.7	66.7	28	2 1/2	1225	6572
	900	RF	1562	787	584	972	1390.7	92.1	24	3 1/2	1440	**
48 (1200mm)	150	RF	1511	524	1037	1193	1422.4	41.3	44	1 1/2	865	4174
	300	RF	1467	629	965	1136	1371.6	50.8	32	1 7/8	1040	6239
	600	RF	1594	787	889	1136	1460.5	73.0	32	2 3/4	1365	**
54 (1350mm)	150	RF	1683	591	1092	1281	1593.9	47.8	44	1 3/4	970	**
	300	RF	1657	718	1092	1281	1549.4	60.3	28	2 1/4	1190	**
60 (1500mm)	150	RF	1854	660	1207	1422	1759.0	47.6	52	1 3/4	1065	**
	300	RF	1810	838	1207	1422	1701.8	60.3	32	2 1/4	1330	**

Δ Weights are for valve only and exclude mating flanges and bolting. Weight will vary according to corrosion allowance specification.

\* Where Ring Joint Facing shown in End Facing, Stud lengths based on Ring Joint flange connection. \*\* Apply to Goodwin for details

VALVE SIZE	2" to 24"	26" to 60"	66" to 144"
FLANGE STANDARD	ANSI B16.5	ANSI B16.47 SERIES A (MSS SP44)	AWWA C207 (CLASS E 275 PSI)

\*\*\* Valves 66" to 144" can be supplied with dimensions to suit flange standards AWWA C207 Classes B, D, E or F and Taylor Forge