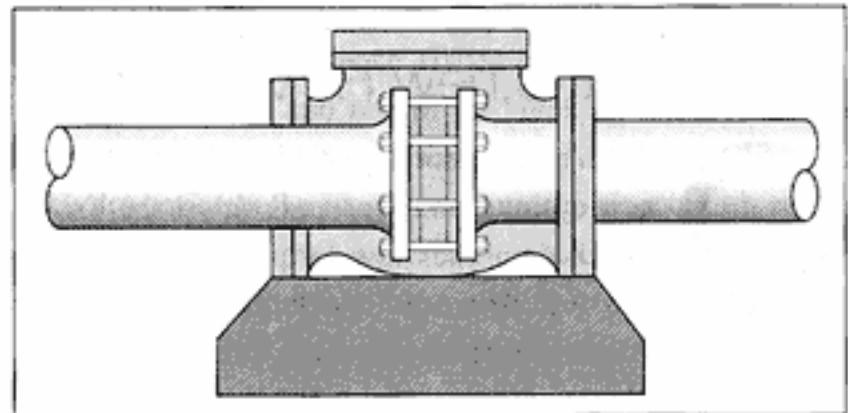


Swing check valves beware!

Goodwin International is a UK manufacturer and worldwide supplier, through its global network of agents and distributors, of API 594 Dual Plate Wafer Check Valves

The Goodwin Valve is extensively used in onshore plant-oil and gas production, refining, petrochemical, LNG and other energy-related process industries. For new construction projects, the Dual Plate Wafer Check is rapidly becoming the first choice over the traditional full-bodied swing check valve.

Typically, the Goodwin Wafer Check is nominally less than one-fifth of the weight and one-quarter the face-to-face of a swing check (see accompanying diagram). Being of lightweight and compact construction, it costs



Reduced support requirements

substantially less than the swing check. This saving becomes all the more emphatic when considering the purchase of valves in large diameters, high-pressure classes, high-grade materials or a combination of all three.

Further substantial indirect cost savings are to be made by the reduction or elimination of supporting foundations or pipe hanger supports (see diagram again). These potentially huge cost savings are combined in a product that offers technical benefits and has a proven track record worldwide. ■